

TRAME

KENETHCOBONPUE



COFFEE TABLE
END TABLE
STOOL

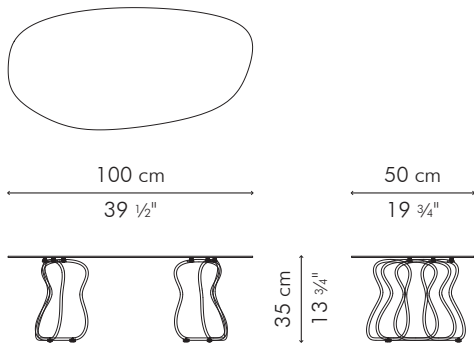
designed by Federica Capitani

☼ polyethylen, nylon, steel, aluminum

TRAME

designed by Federica Capitani

Coffee Table

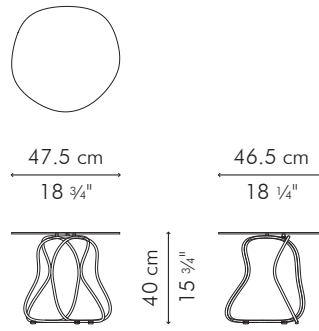


OUTDOOR aluminum, steel



dolphin gray

End Table



OUTDOOR aluminum, steel



aqua



orange



black

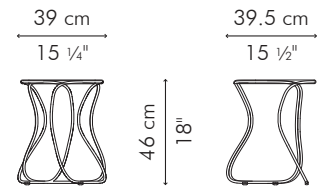


dolphin gray



gray

Stool



OUTDOOR polyethylene, nylon, steel



faery blue | spring mint