



BUD  
HANGING LAMP

by Brad Stebbing



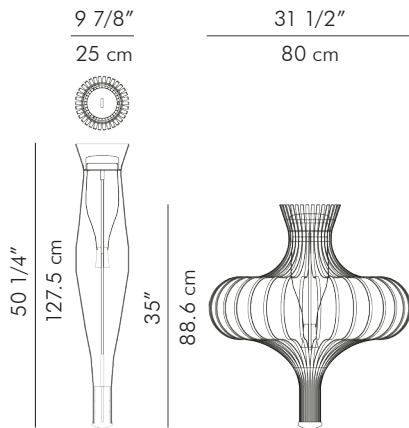


# BUD

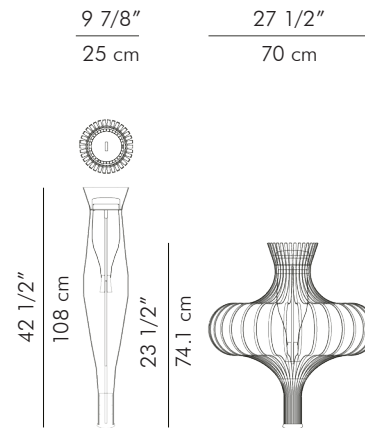
## HANGING LAMP

by Brad Stebbing

### Large



### Small



5.50 kg (12.13 lbs)

5.00 kg (11.02 lbs)



7.00 kg (15.43 lbs)

7.00 kg (15.43 lbs)



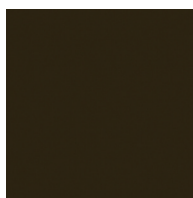
0.13 m<sup>3</sup>

0.11 m<sup>3</sup>

Surface mounted pre-wired lamp  
E26/E27  
100V 60 Hz / 230V 50 Hz  
2 x 11 watts | 2 x 11 watts



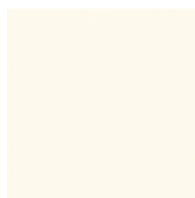
Polyethylene strips  
Powdercoated metal frame  
Adjustable metal rod  
Fiber reinforced polymer diffuser



Java



Platinum



Whitewash

