

hive<sup>®</sup>

CLOUD  
HANGING LAMP

by Hae Young Yoon





# CLOUD HANGING LAMP

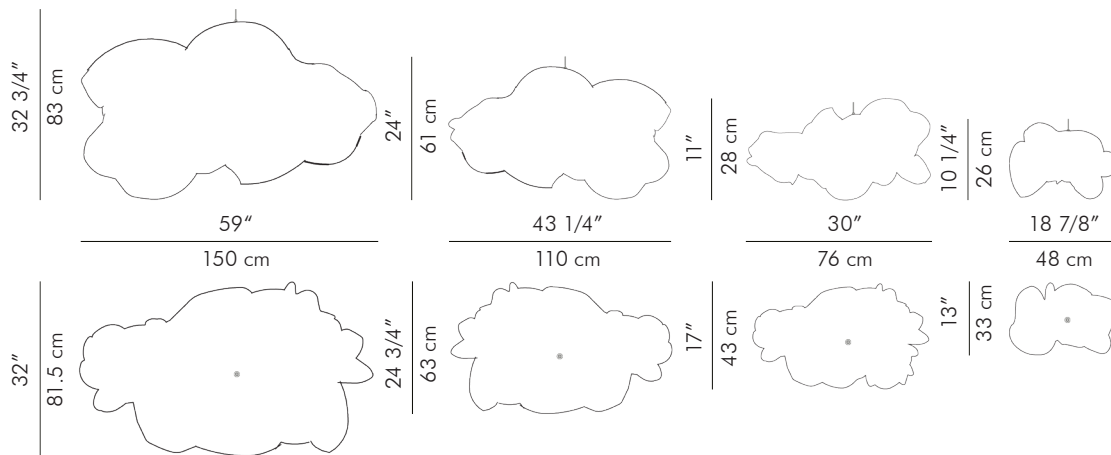
by Hae Young Yoon

Extra Large

Large

Medium

Small



7.50 kg (16.53 lbs)

4.00 kg (8.82 lbs)

0.90 kg (1.98 lbs)

0.50 kg (1.10 lbs)



17.20 kg (37.92 lbs)

11.50 kg (25.35 lbs)

3.10 kg (6.83 lbs)

2.00 kg (4.41 lbs)



1.14 m<sup>3</sup>

0.57 m<sup>3</sup>

0.15 m<sup>3</sup>

0.09 m<sup>3</sup>

Surface mounted pre-wired lamp  
E26 / E27  
100V 60Hz / 230V 50 Hz  
1 x 150 watts | 1 x 150 watts | 1 x 100 watts | 1 x 75 watts



Cotton fiber over a wire armature