



KAI  
RECTANGULAR | SQUARE HANGING LAMP  
by Kenneth Cobonpue



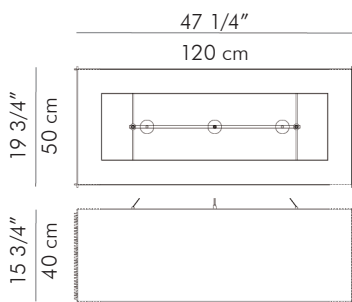


# KAI

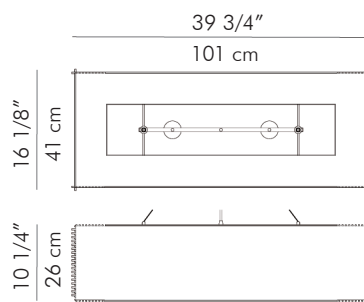
## RECTANGULAR | SQUARE HANGING LAMP

by Kenneth Cobonpue

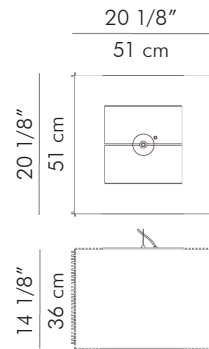
Rectangular



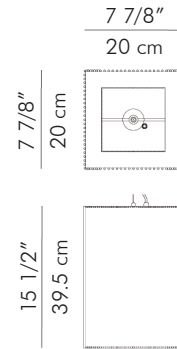
Rectangular Slim



Square Medium



Square Small



5.00 kg (11.02 lbs)

3.25 kg (7.17 lbs)

2.27 kg (5.00 lbs)

1.00 kg (2.20 lbs)



8.00 kg (17.64 lbs)

5.60 kg (12.35 lbs)

4.25 kg (9.37 lbs)

1.30 kg (2.87 lbs)



0.32 m<sup>3</sup>

0.16 m<sup>3</sup>

0.12 m<sup>3</sup>

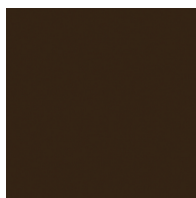
0.02 m<sup>3</sup>

Surface mounting pre-wired lamp  
E26 / E27  
120V 60Hz / 230V 50Hz  
3 x 75 watts / 2 x 75 watts (slim)

Surface mounting pre-wired lamp  
E26 / E27  
120V 60Hz / 230V 50Hz  
1 x 75 watts | 1 x 75watts



Buri (palm leaf spines)  
Hand made paper laminated mylar diffuser  
Powder coated metal frame



Brown