



# LUAU

FLOOR | WALL LAMP

by Kenneth Cobonpue



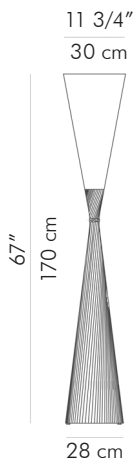


# LUAU

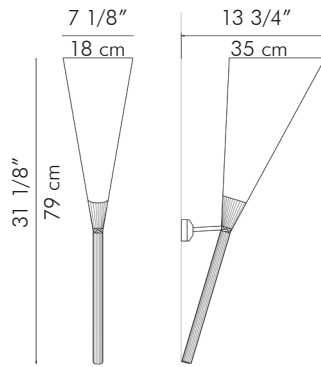
## FLOOR | WALL LAMP

by Kenneth Cobonpue

### Floor Lamp



### Wall Lamp



3.55 kg (7.83 lbs)

1.50 kg (3.31 lbs)



6.08 kg (13.40 lbs)

2.00 kg (4.41 lbs)



0.20 m<sup>3</sup>

0.08 m<sup>3</sup>

Portable pre-wired lamp  
E26 / E27  
120V 60Hz / 230V 50Hz  
1 x 60 watts

Surface mounted pre-wired lamp  
E26 / E27  
120V 60Hz / 230V 50Hz  
1 x 75 watts



Salago pulp fiber  
Buri (palm leaf spines)  
Powder coated metal frame