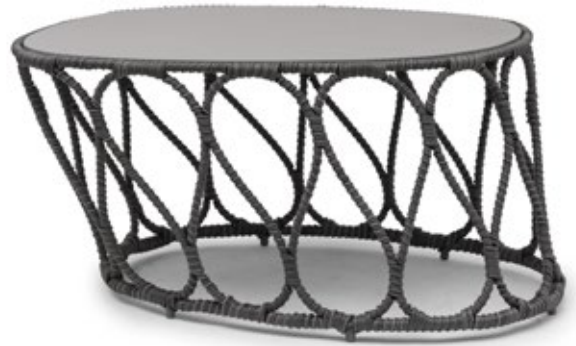


# FORMA

KENETHCOBONPUE

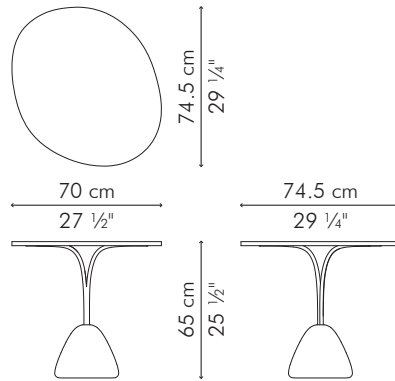


BISTRO TABLE  
COFFEE TABLE  
END TABLE

☼ fiberglass, aluminum  
☼ polyethylene, steel

designed by Federica Capitani

## BISTRO TABLE



OUTDOOR

14 kg / 31 lbs

25 kg / 55 lbs

0.40 m<sup>3</sup>

OUTDOOR fiberglass, aluminum

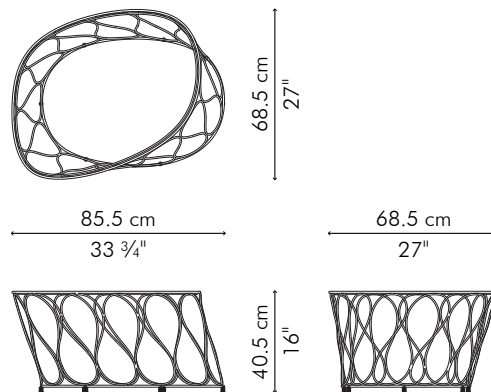
Pale Gray

TDBFM-PG-2725OD

Whitewash

TDBFM-WW-2725OD

## COFFEE TABLE



OUTDOOR

10.5 kg / 23 lbs

16 kg / 35 lbs

0.29 m<sup>3</sup>

OUTDOOR polyethylene, steel

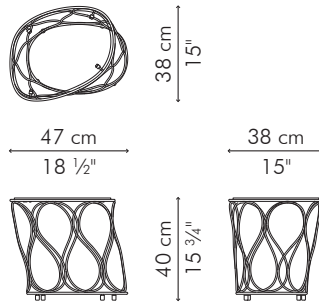
Pale Gray

TCFM-PG-3316OD

Whitewash

TCFM-WW-3316OD

## END TABLE, outdoor



OUTDOOR

 3 kg / 7 lbs

 5 kg / 11 lbs

 0.07 m<sup>3</sup>

OUTDOOR polyethylene, steel

Pale Gray

TEFM-PG-1815OD

Whitewash

TEFM-WW-1815OD