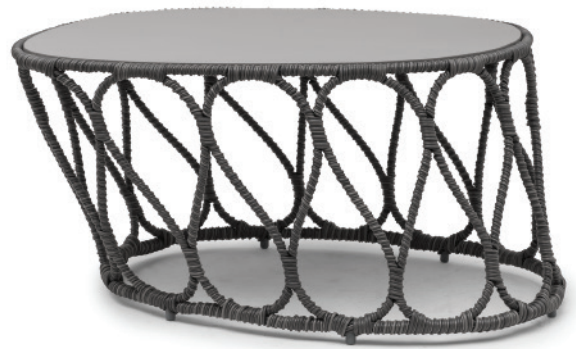


# FORMA

KENETHCOBONPUE



BISTRO TABLE  
COFFEE TABLE

END TABLE

designed by Federica Capitani

☀ fiberglass, aluminum

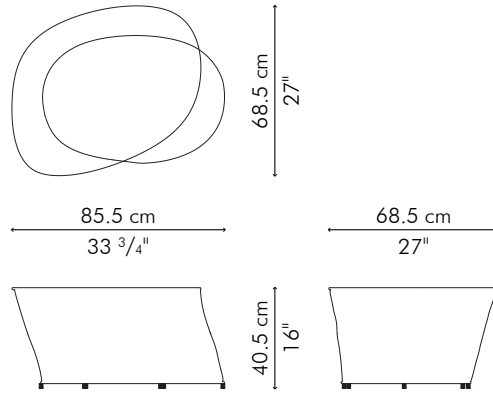
🏠 rattan

☀ polyethylene, steel

🏠 rattan

☀ polyethylene, steel

## COFFEE TABLE



OUTDOOR

10.5 kg / 23 lbs

16 kg / 35 lbs

0.29 m<sup>3</sup>

OUTDOOR polyethylene, steel

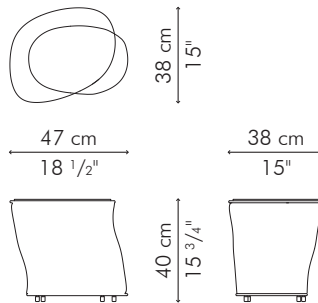
Pale Gray

TCFM-PG-3316OD

Whitewash

TCFM-WW-3316OD

## END TABLE, outdoor



OUTDOOR

3 kg / 7 lbs

5 kg / 11 lbs

0.07 m<sup>3</sup>

OUTDOOR polyethylene, steel

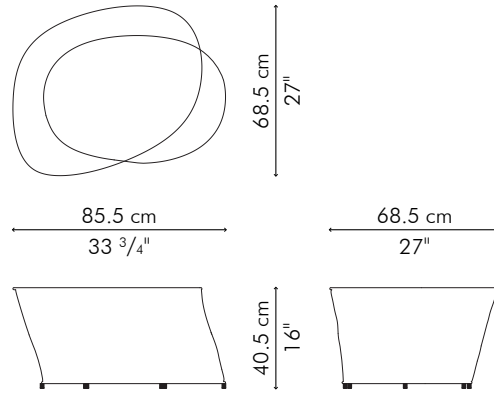
Pale Gray

TEFM-PG-1815OD

Whitewash

TEFM-WW-1815OD

## COFFEE TABLE



OUTDOOR

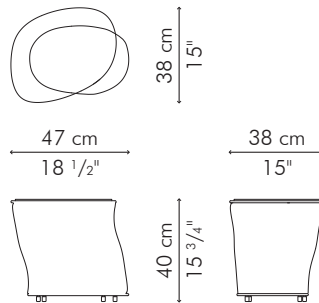
- 10 kg / 22 lbs
- 16.5 kg / 36 lbs
- 0.31 m³

INDOOR rattan

Natural

TEFM-N-1815

## END TABLE, outdoor



OUTDOOR

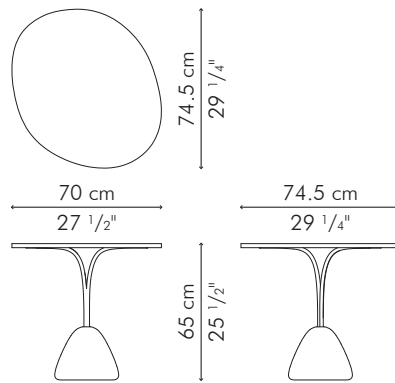
- 2.5 kg / 6 lbs
- 5.5 kg / 12 lbs
- 0.09 m³

INDOOR rattan

Natural

TEFM-N-1815

## BISTRO TABLE



### OUTDOOR



14 kg / 31 lbs



25 kg / 55 lbs



0.40 m<sup>3</sup>

### OUTDOOR fiberglass, aluminum

Pale Gray

TDBFM-PG-2725OD

Whitewash

TDBFM-WW-2725OD